

The Little Sign Co.

CarRiderSign®

How it works

Print your child's last name and grade with a **permanent marker**.

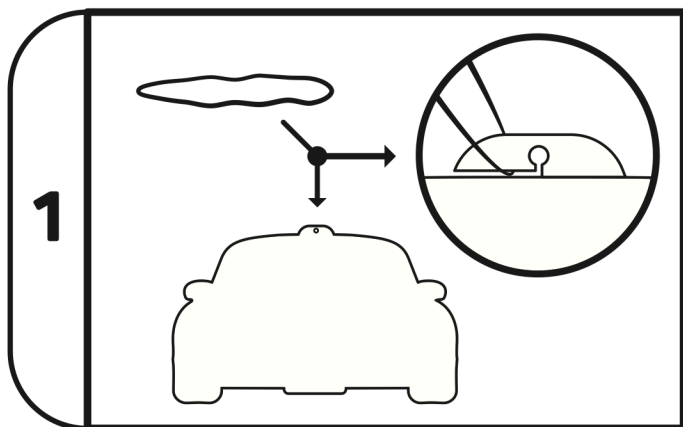


To order by
web/phone:

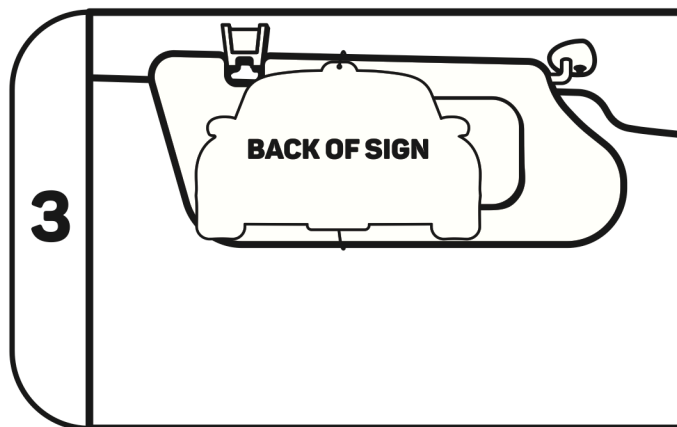
www.carvisorsign.com
1-800-829-6096

email:
fax:

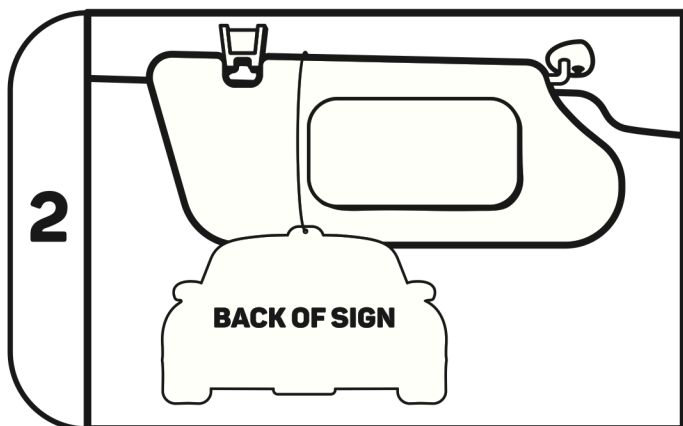
sales@carvisorsign.com
1-800-782-0371



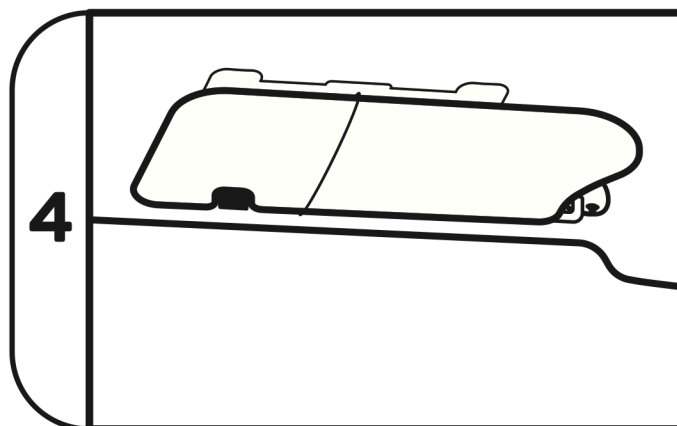
Place elastic through the opening into the hole.



The CarRiderSign® slides up and down easily.



Attach elastic around passenger's visor with the child's name facing to the front of the car.



To store the CarRiderSign®, simply slide the sign up and fold the visor back.